

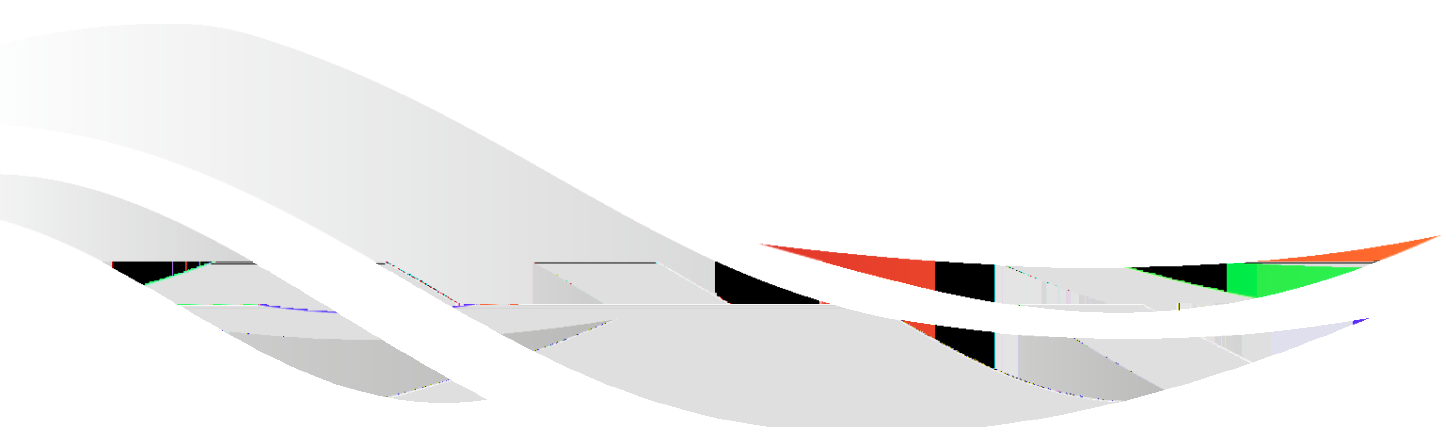


EVB_EC600X、EC800X

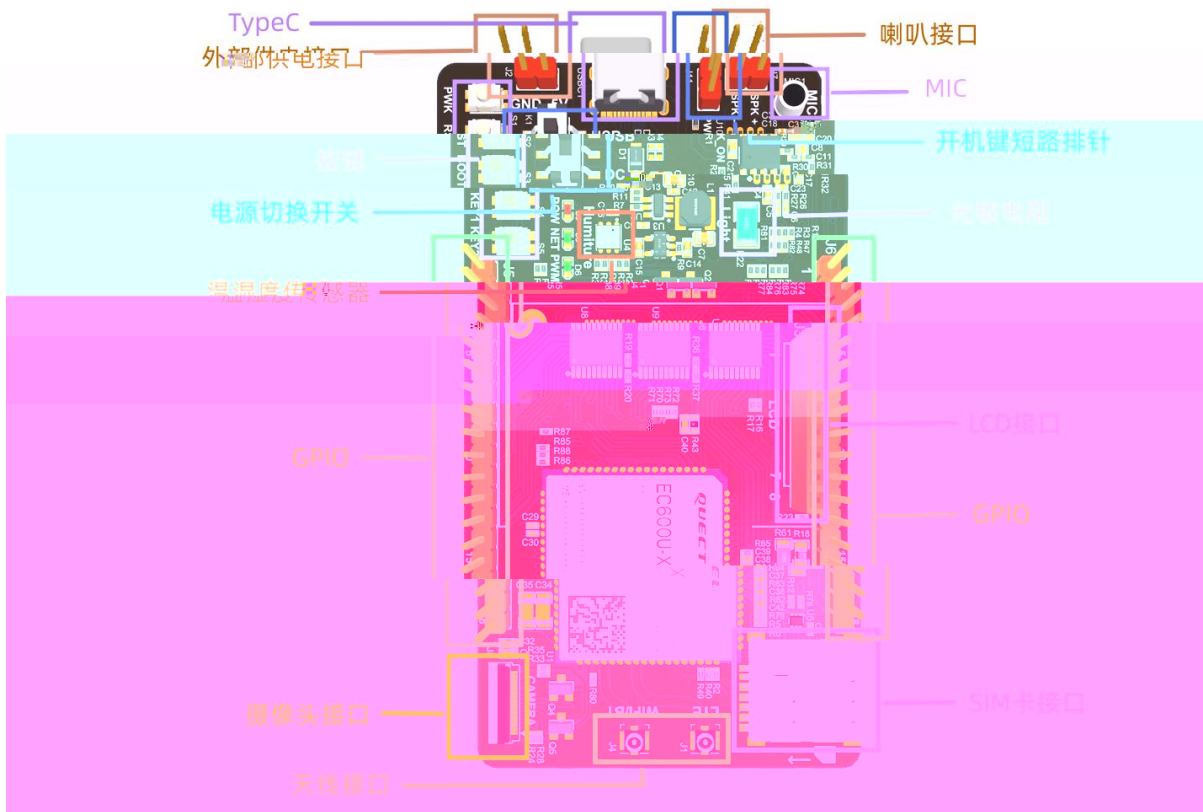
EVB 0X、E800X

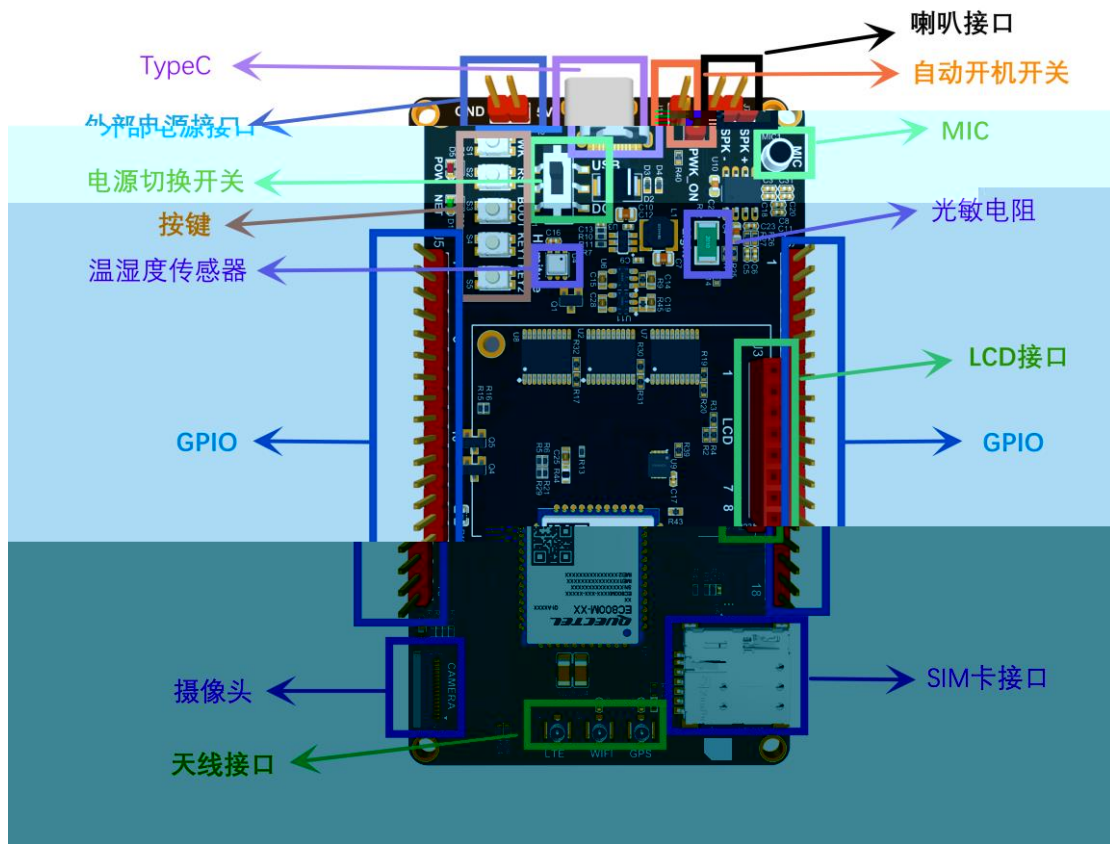
3.2

11 07

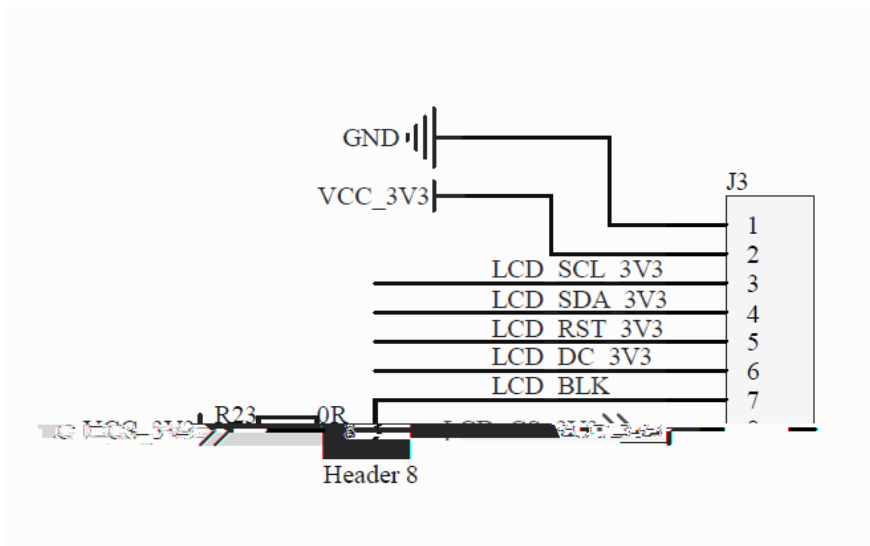


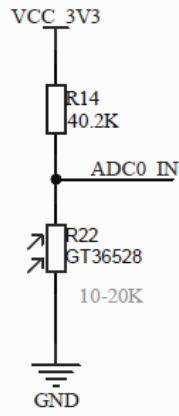
EC600X— EC600 EC600N EC600U EC600M
EC800X— EC800 EC800M EC800E
EVB—
V3.X--





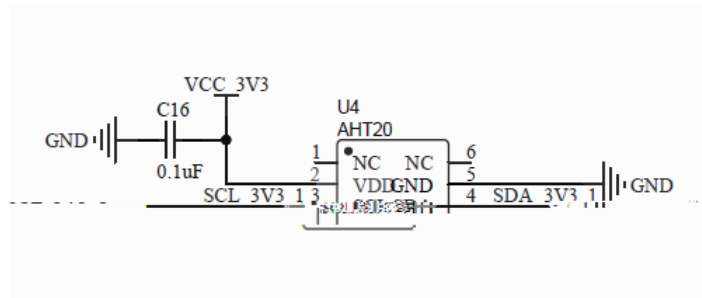
序号	名称	型号	是否支持	接口类型

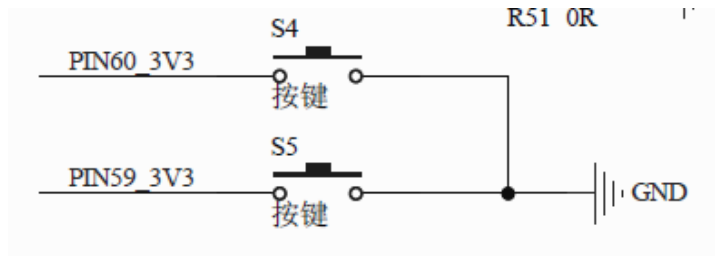
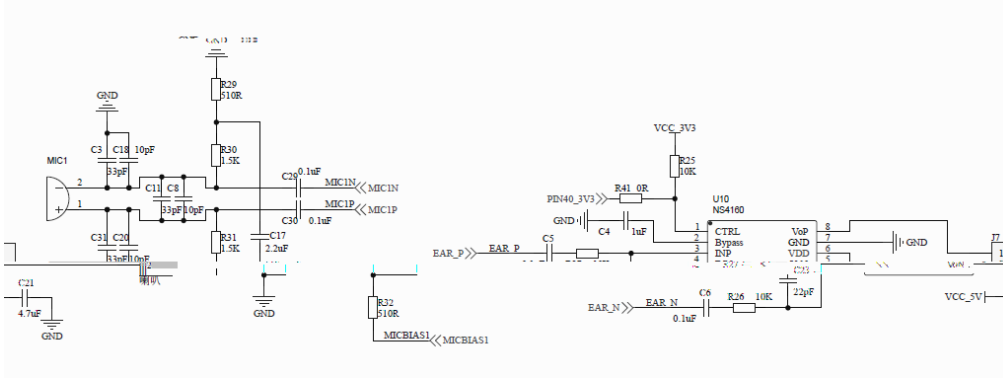




光敏电阻

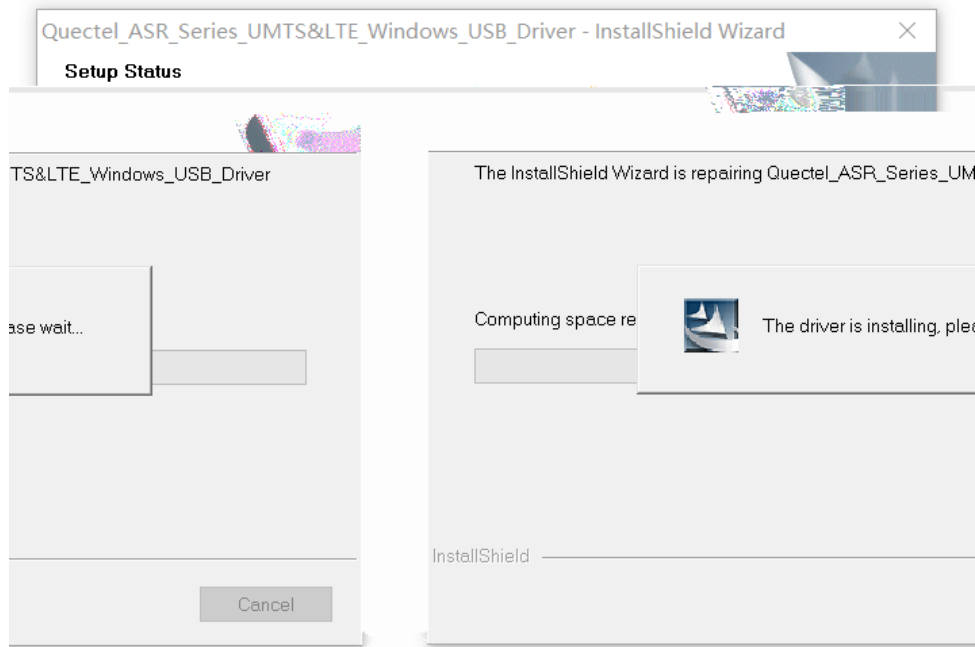
请注意





开发板	开机操作

setup.exe

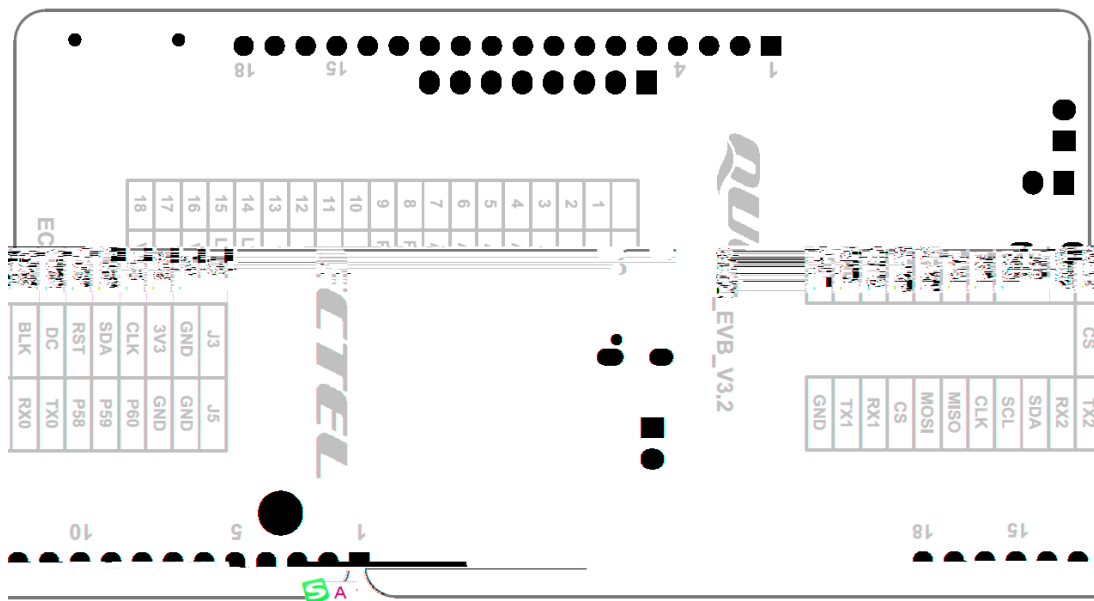
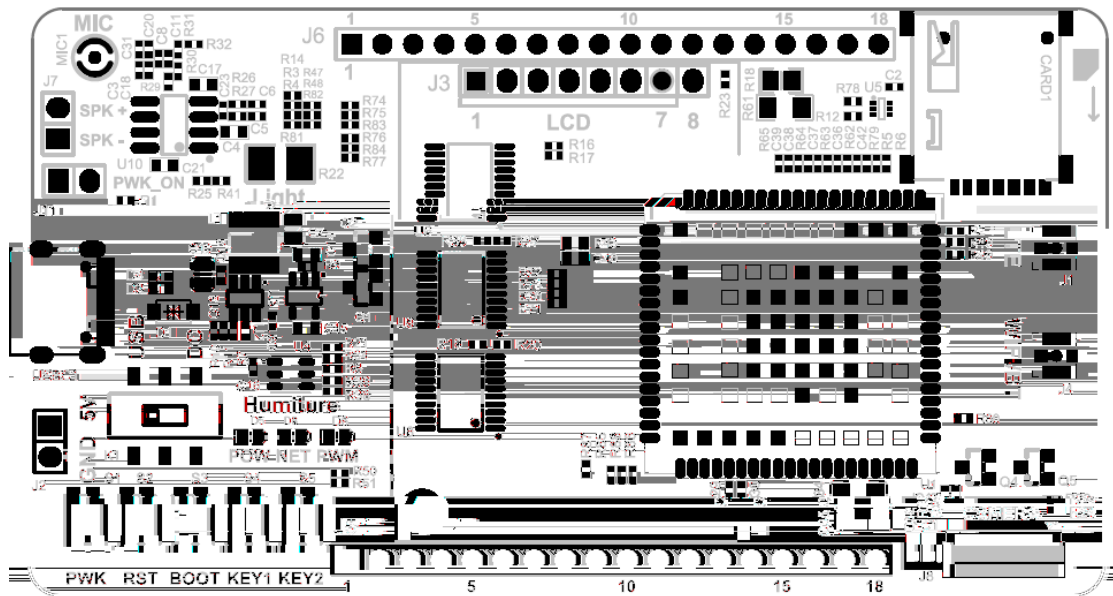


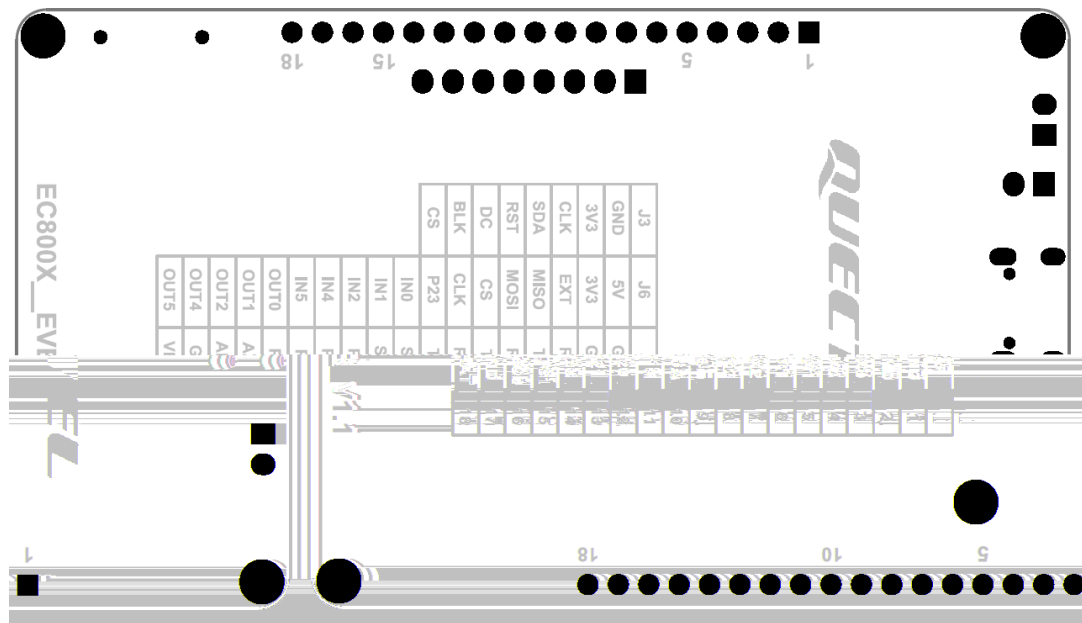
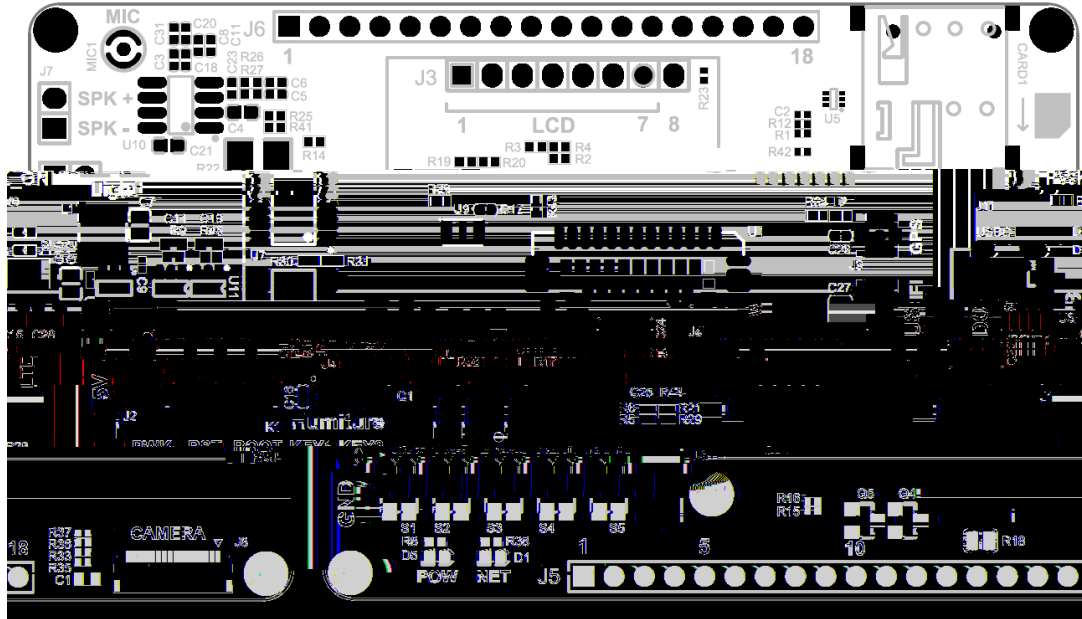
Quectel USB AT Port (COMx)
Quectel USB AP Log Port (COMx)
Quectel USB CP Log Port (COMx)
Quectel USB Diag Port (COMx)
Quectel USB MOS Port (COMx)
Quectel Modem (COMx)
Quectel USB Serial-1 Port (COMx)
Quectel USB Serial-2 Port (COMx)

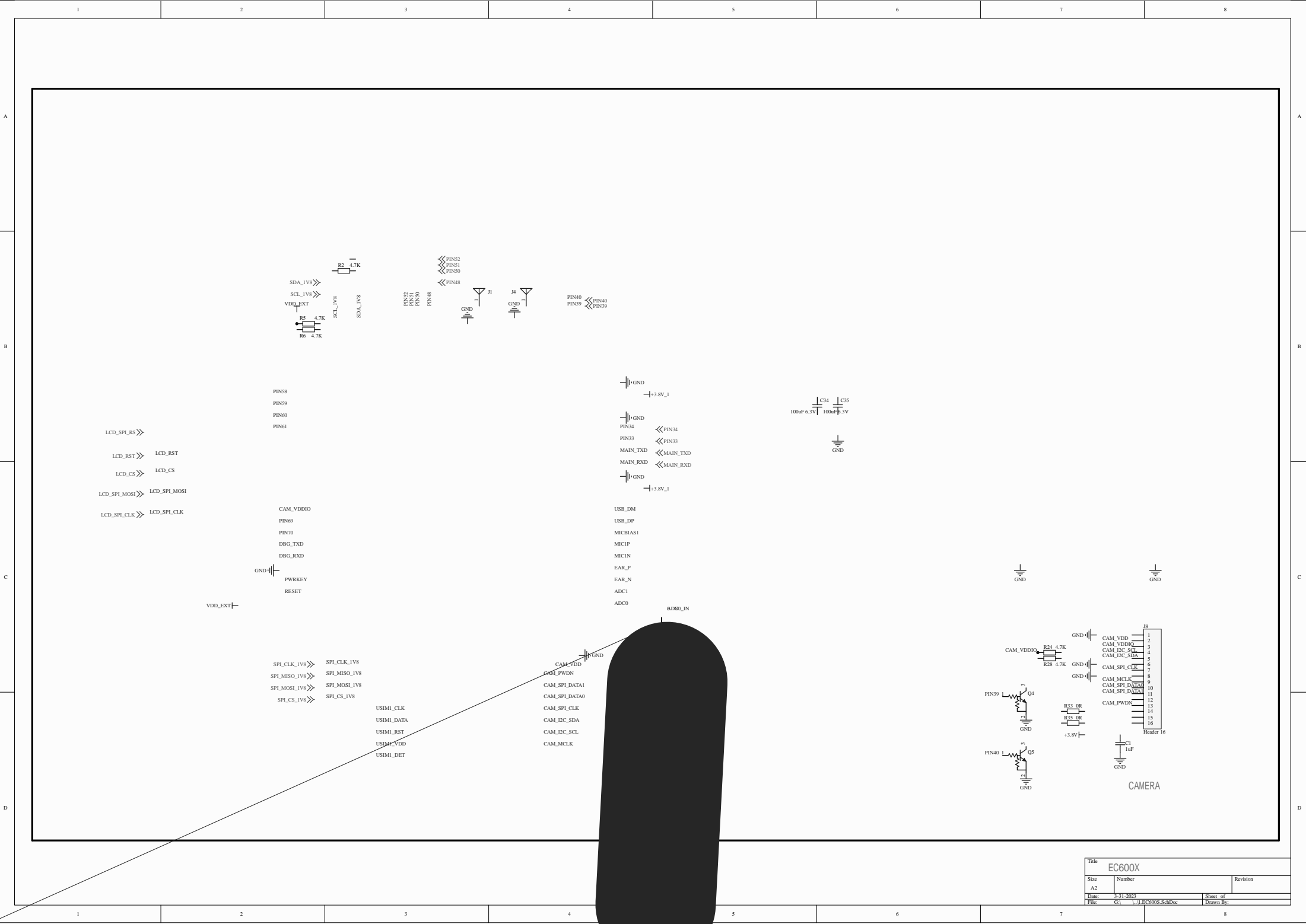
小提示



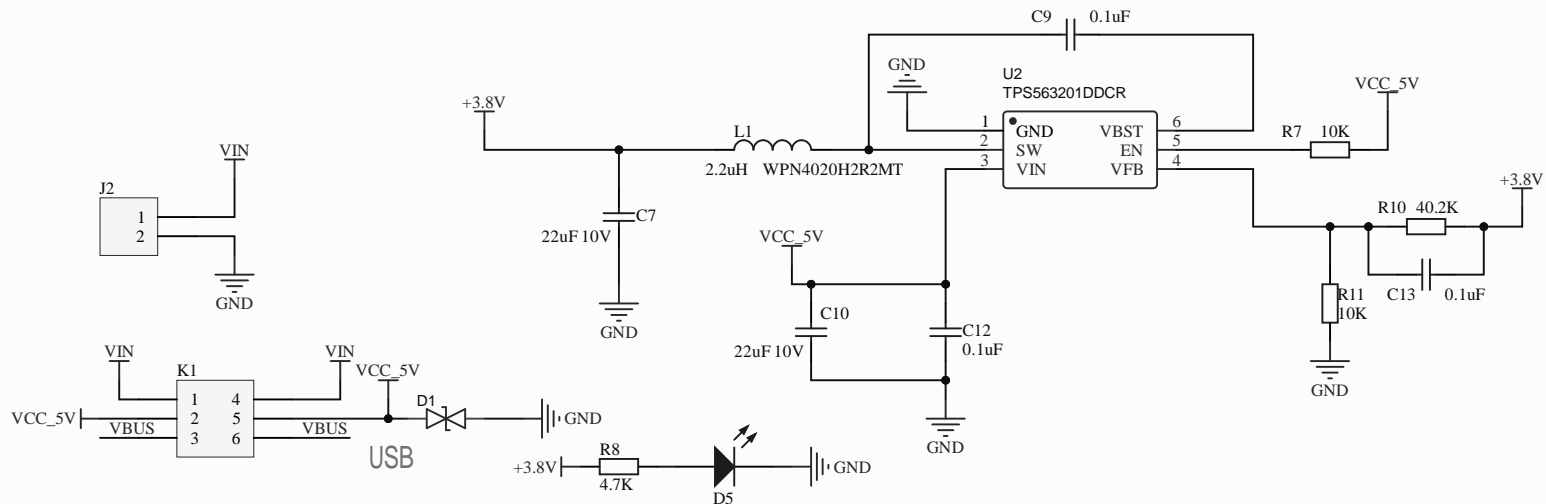




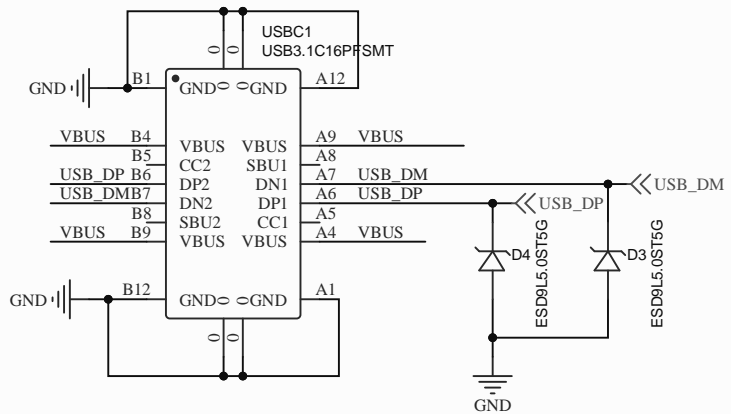




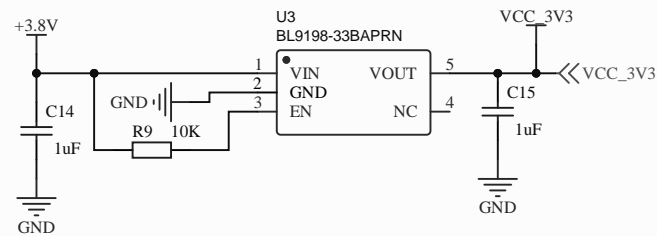
Title		EC600X	
Size	Number	Revision	
A2			
Date	3-31-2023	Sheet of	
File	\\G:_1\1\EC600S.SchDoc	Drawn By:	



DCDC 3A

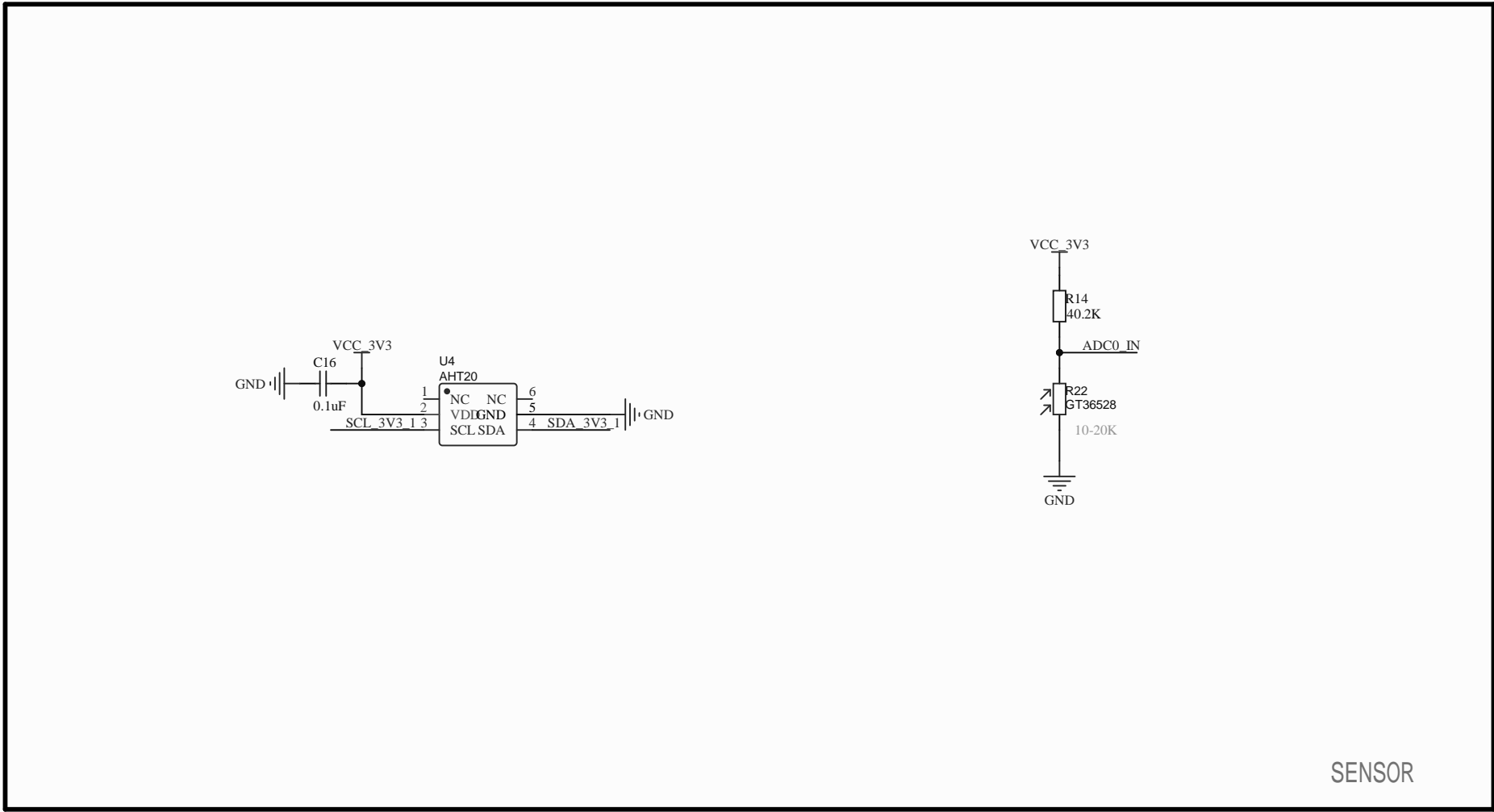


type-C

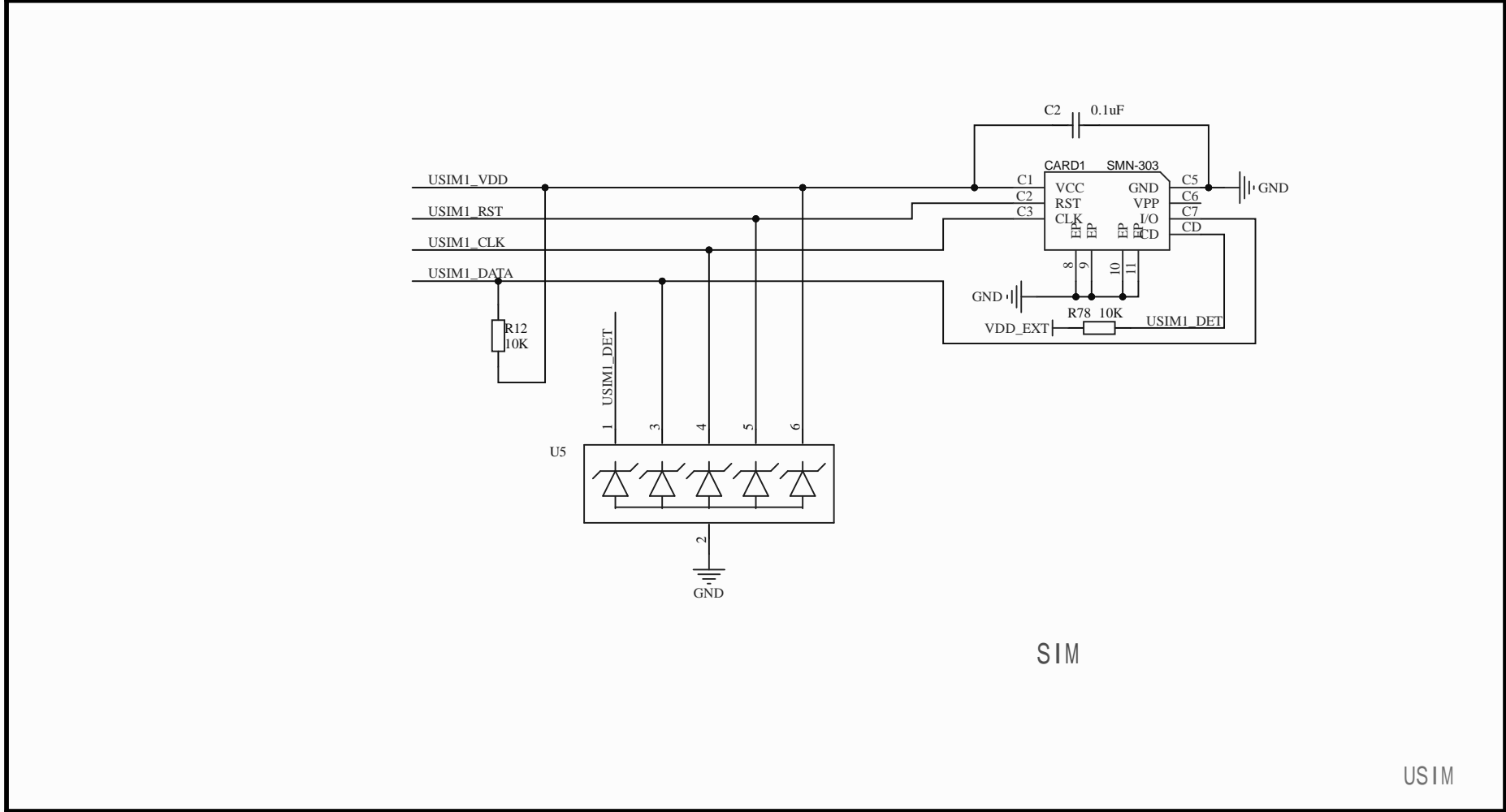


LDO 300mA

Title		
Size	Number	Revision
A4		
Date:	3-31-2023	Sheet of
File:	G:\...\2.POWER.SchDoc	Drawn By:



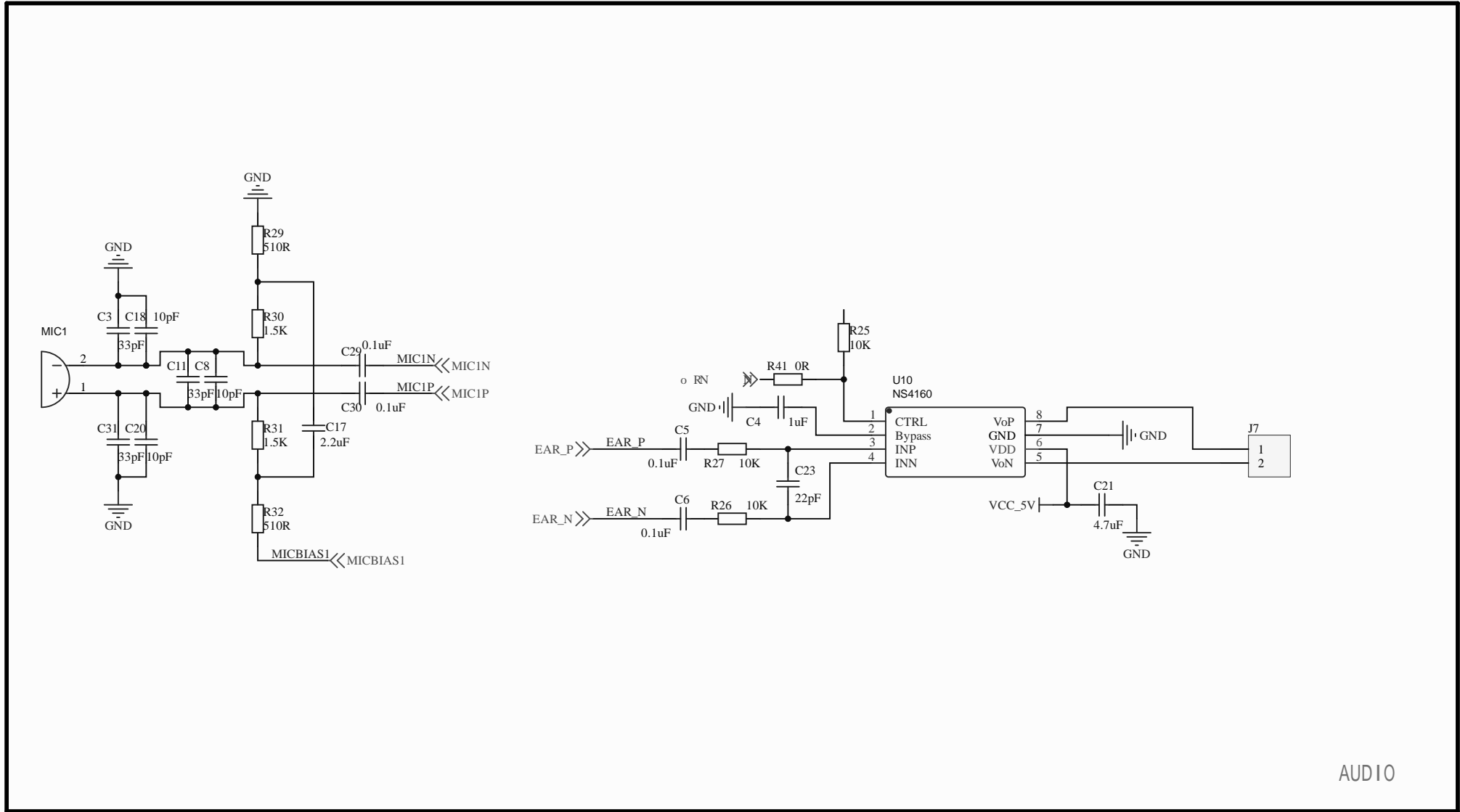
Title		
Size A4	Number	Revision
Date:	3-31-2023	Sheet of
File:	G:\...\3.SENSOR+EEPROM.SchDoc Drawn By:	



SIM

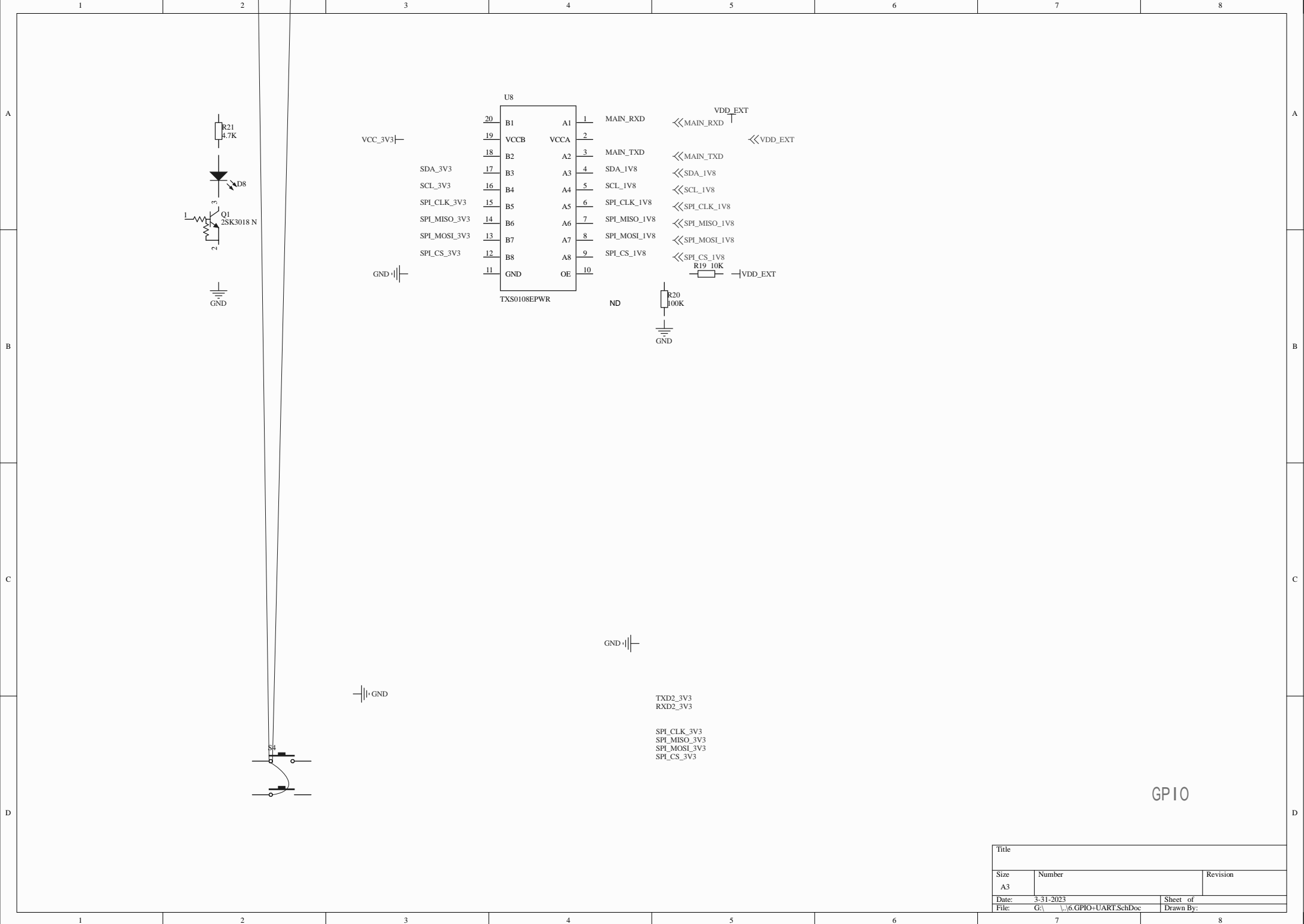
USIM

Title		
Size A4	Number	Revision
Date:	3-31-2023	Sheet of
File:	G:\...4.SIM-CARD.SchDoc	Drawn By:

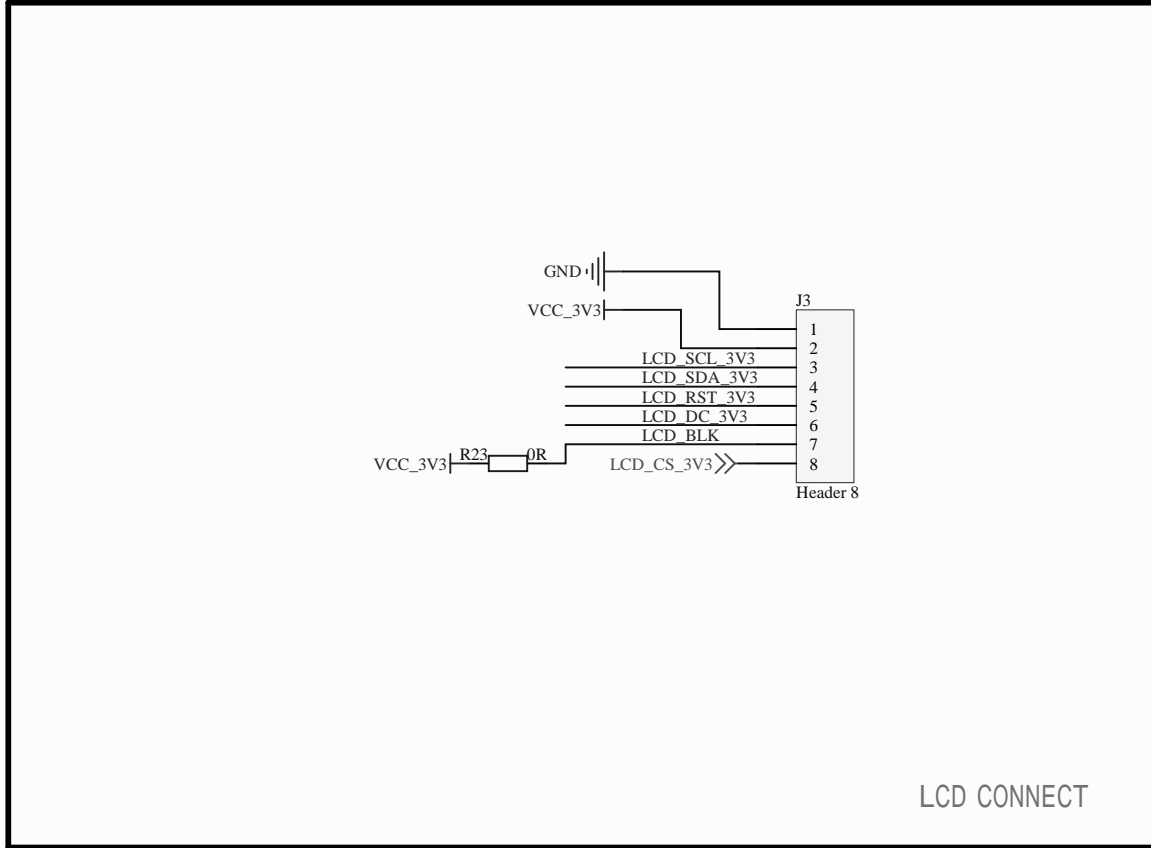


AUDIO

Title		
Size	Number	Revision
A4		
Date:	3-31-2023	Sheet of
File:	G:\...5.AUDIO.SchDoc	Drawn By:

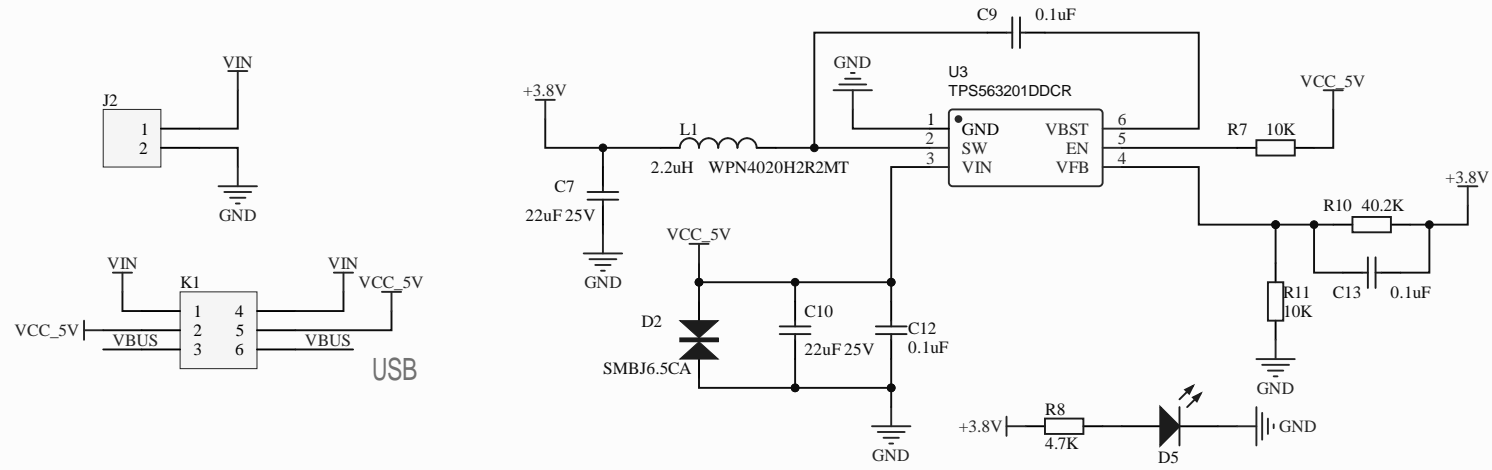


Title		
Size A3	Number	Revision
Date: 3-31-2023	Sheet of	
File: G:\...6.GPIO+UART.SchDoc	Drawn By:	

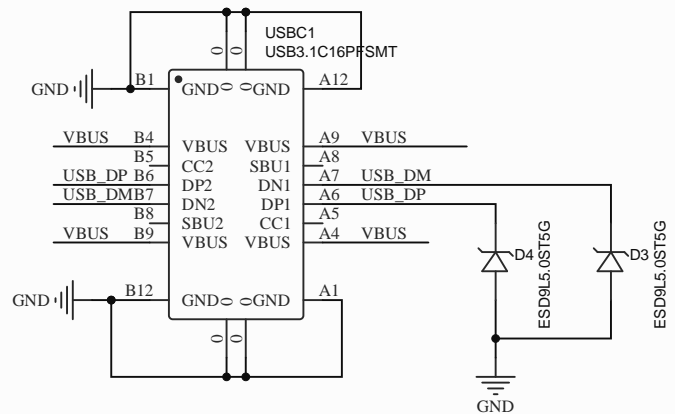
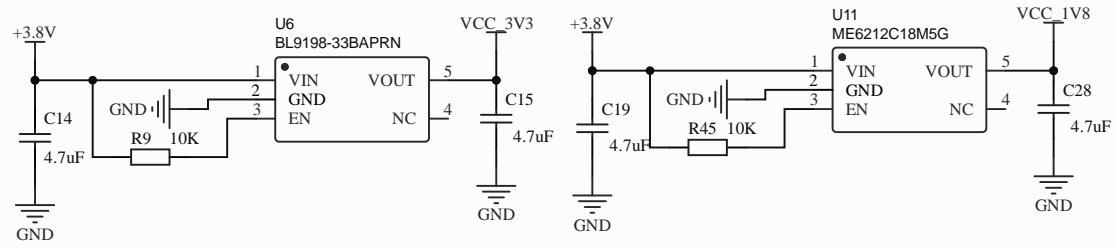


LCD CONNECT

Title		
Size A4	Number	Revision
Date:	3-31-2023	Sheet of
File:	G:\...\7.LCM.SchDoc	Drawn By:



DCDC



type-C

1

2

3

4

A

A

B

B

C

C

D

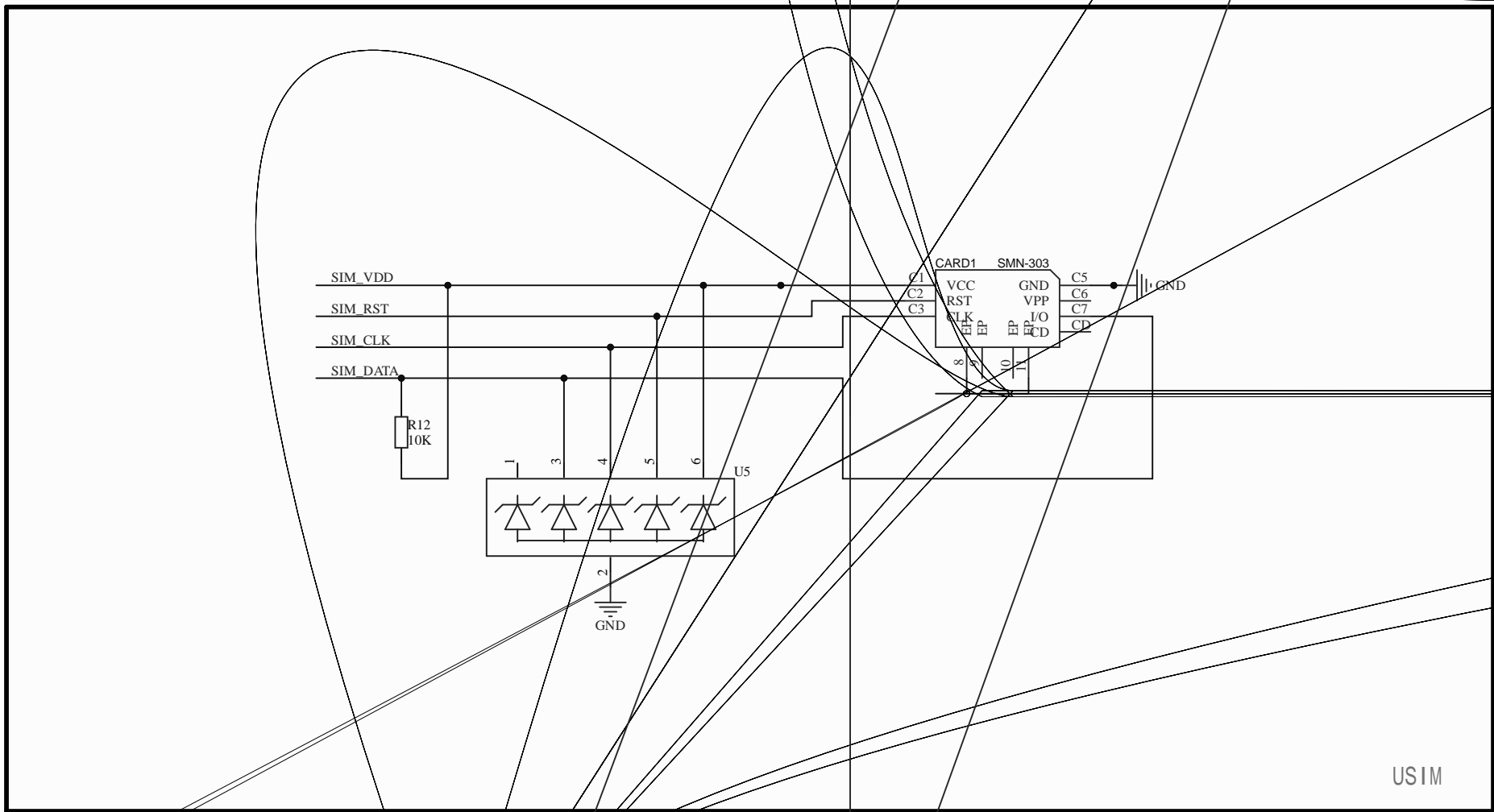
D

1

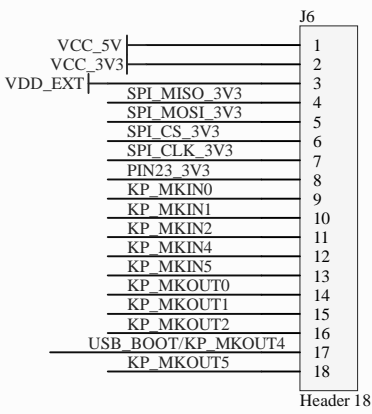
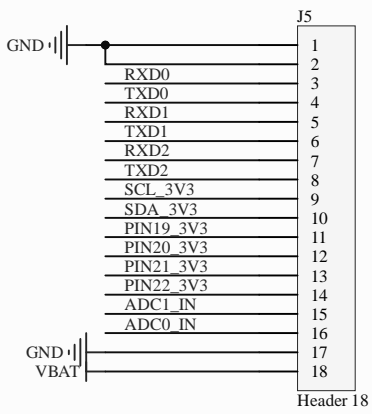
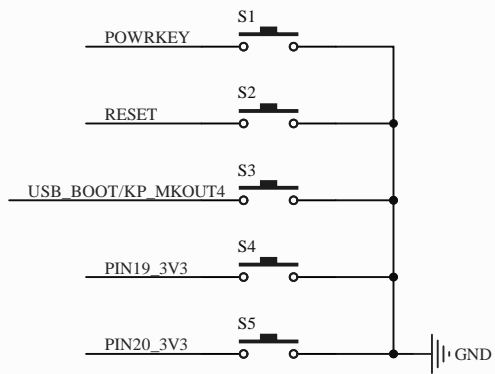
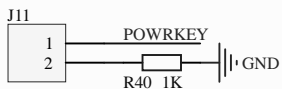
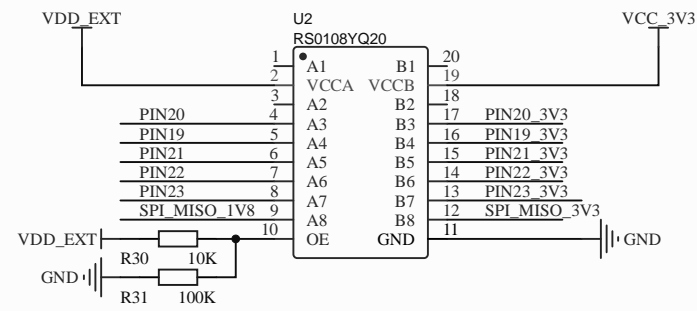
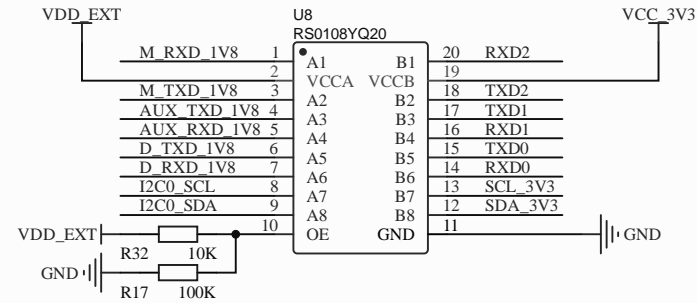
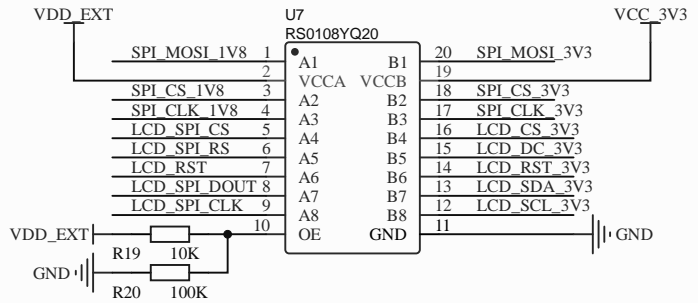
2

3

4



USIM



GPIO

1

2

3

4

A

A

B

B

C

C

D

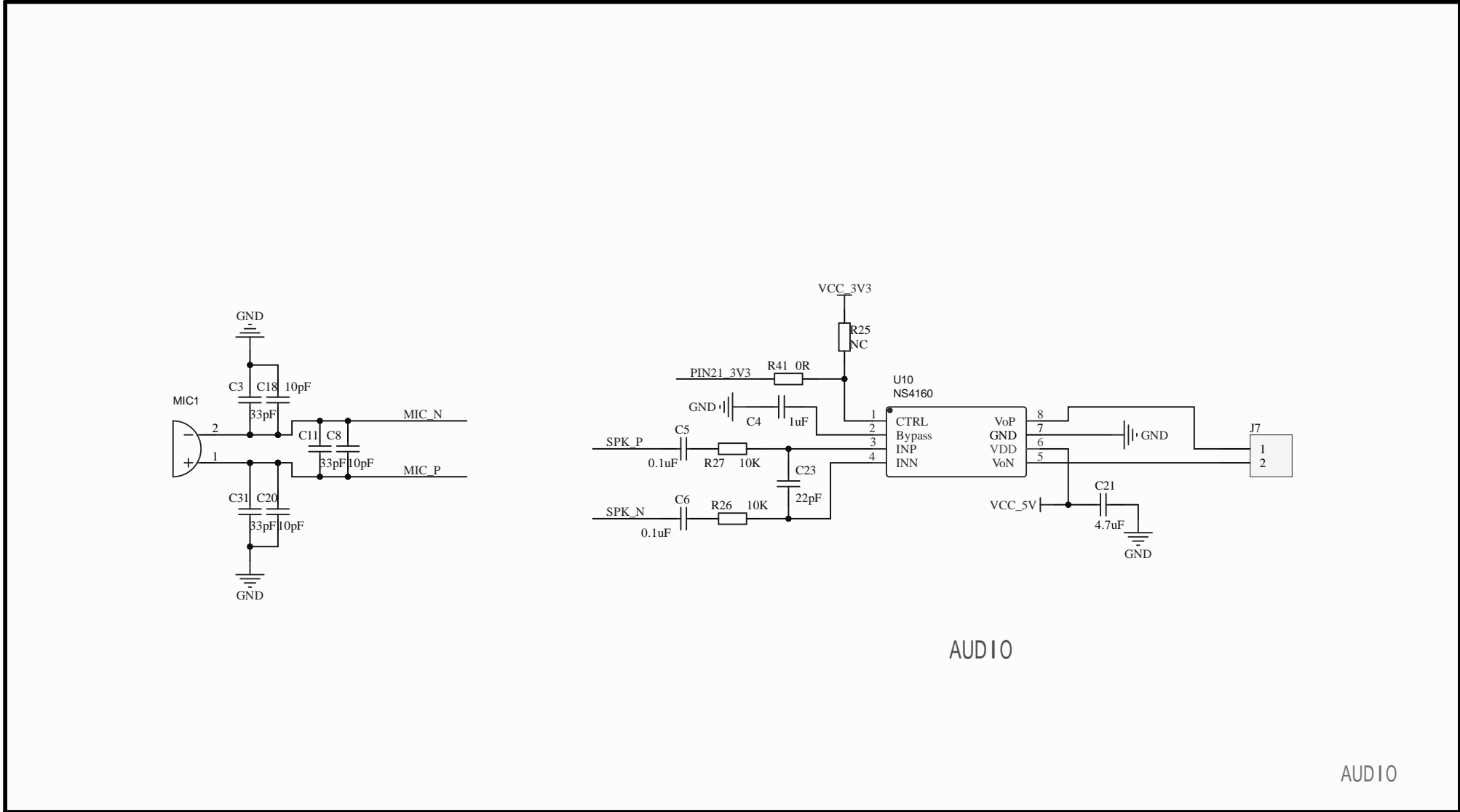
D

1

2

3

4



AUDIO

AUDIO

1

2

3

4

A

A

B

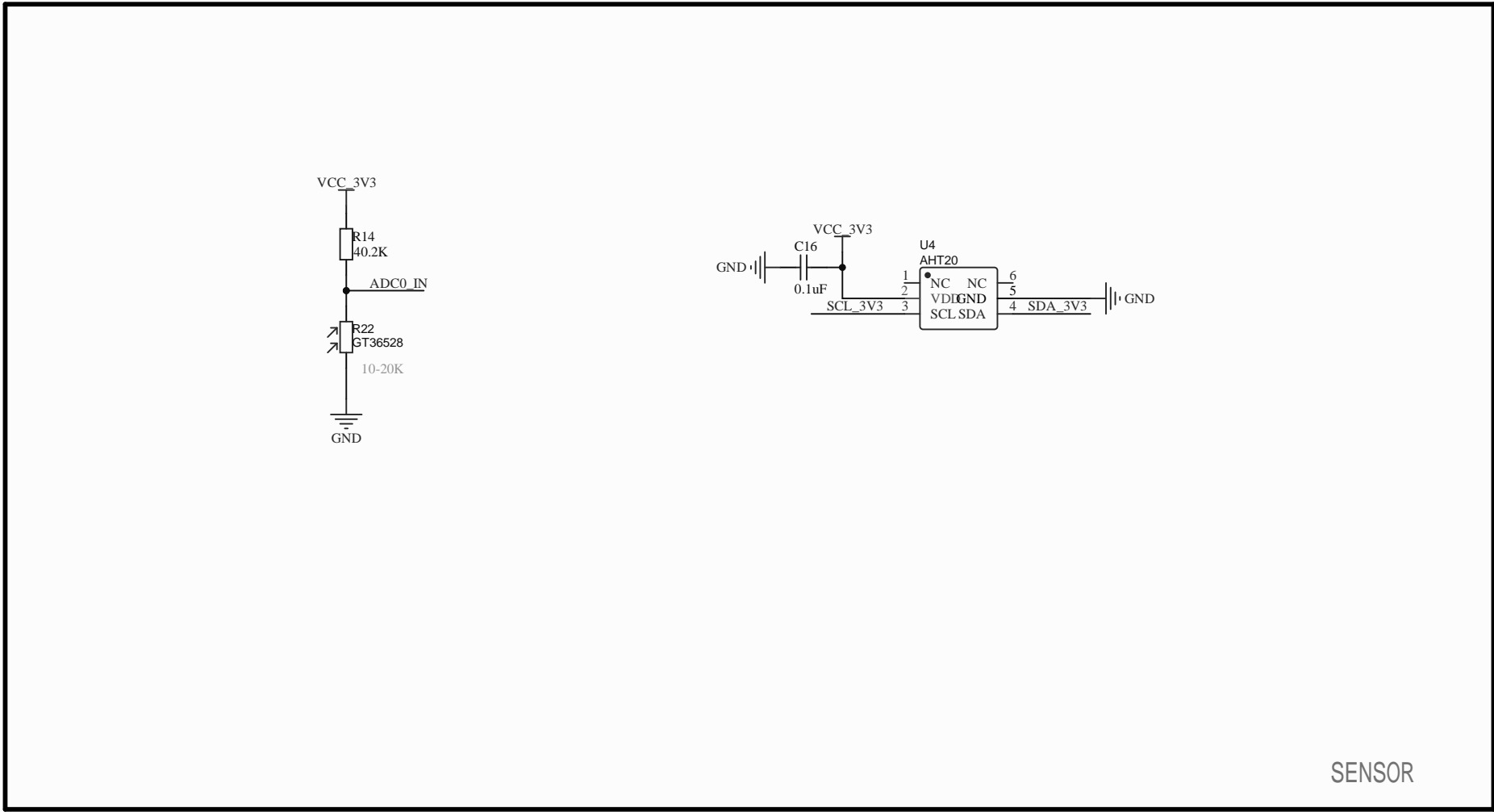
B

C

C

D

D



SENSOR

1

2

3

4

1

2

3

4

A

A

B

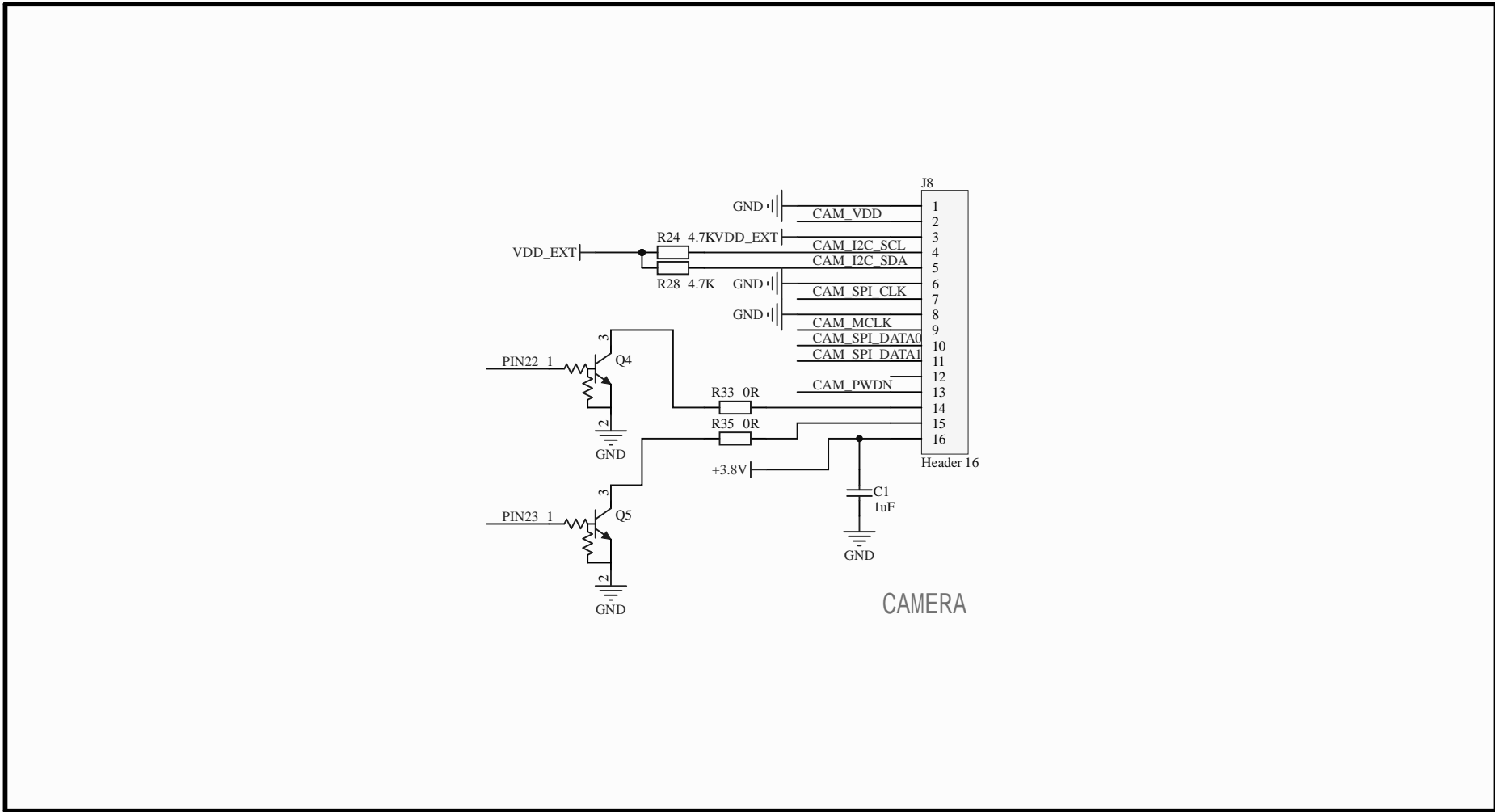
B

C

C

D

D



CAMERA

1

2

3

4

A

A

B

B

C

C

D

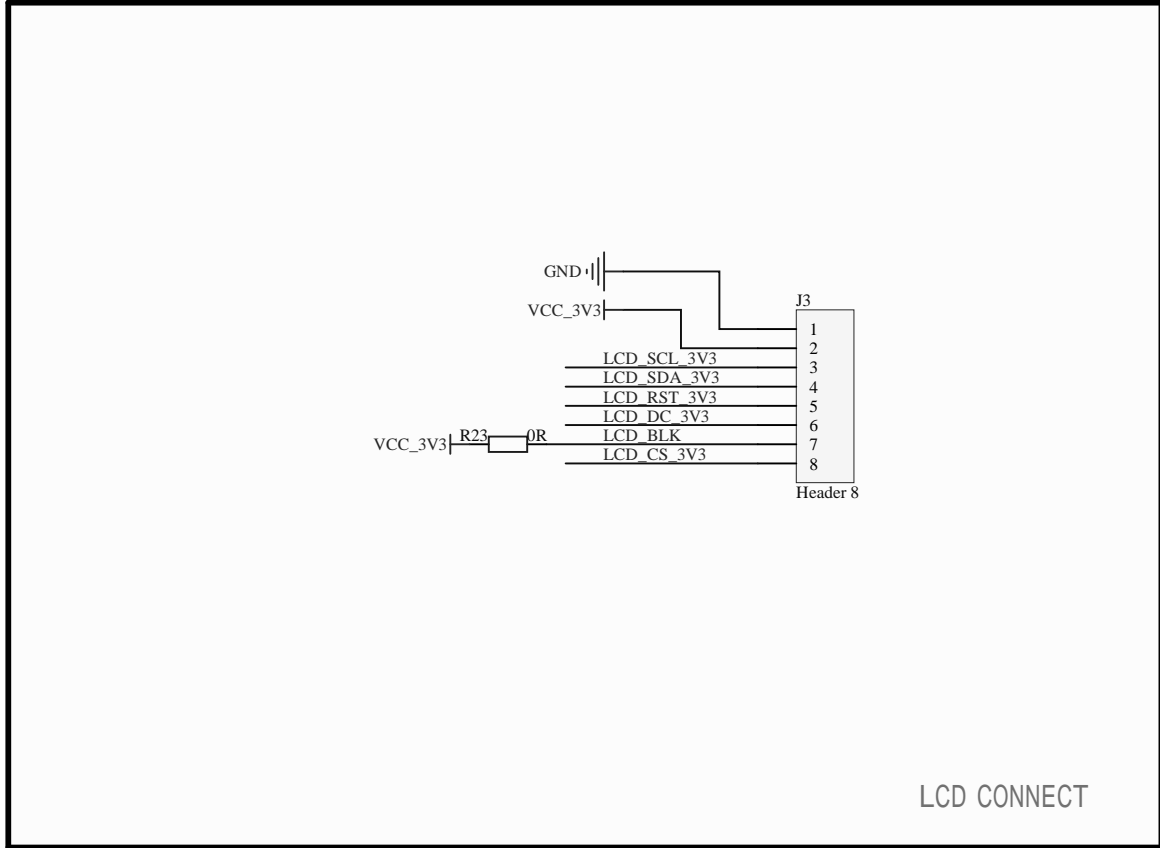
D

1

2

3

4



LCD CONNECT

1

2

3

4

A

A

B

B

C

C

D

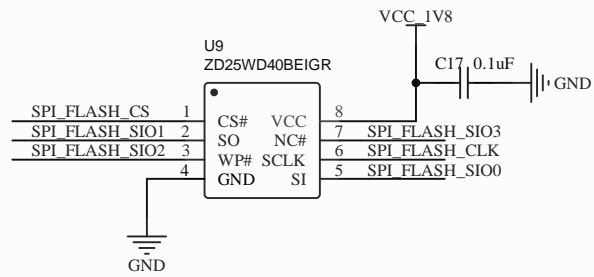
D

1

2

3

4



Flash